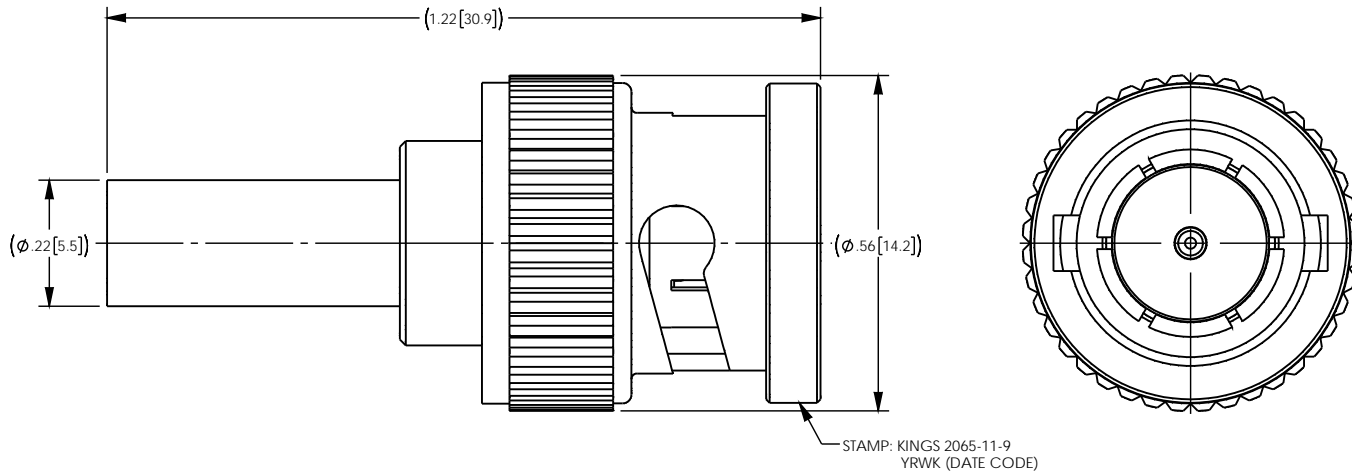


NOTES:

1. FOR USE WITH COMMSCOPE 77538 & BELDEN 1855A & 1865A CABLES.
2. FOR CABLING INSTRUCTIONS SEE 3-661-1.
3. FOR CRIMPING USE DIE KTH-2025.
4. CENTER CONTACT, 1-6690-7M9Y, AND K-GRIP SLEEVE 1-33983-1M06 SUPPLIED UNASSEMBLED.
5. INTERFACE PER MIL-STD-348, FIG. 301-1 (AS APPLICABLE).
6. MATERIAL SPECIFICATIONS:
 INSULATOR: PTFE PER ASTM D4894.
 GASKET: SILICONE RUBBER PER ZZ-R765.
 SPRING WASHER AND OUTER CONTACT: BERYLLIUM COPPER PER ASTM B196.
 ALL OTHER METAL PARTS: BRASS PER ASTM B16.
7. FINISH SPECIFICATIONS:
 CENTER CONTACT: GOLD PER MIL-G-45204
 SPRING WASHER: SILVER PER QQ-S-365
 ALL OTHER METAL PARTS: NICKEL PER QQ-N-290

8. ELECTRICAL SPECIFICATIONS:
 IMPEDANCE: 75 OHMS
 WORKING VOLTAGE: 500 VOLTS RMS
 FREQUENCY RANGE: DC - 12 GHz
 RETURN LOSS: -30dB MAX TO 3.0 GHz
 -20dB MAX TO 6.0 GHz
9. COMPLIANT TO 3G/6G/12G SDI SMPTE REQUIREMENTS.
10. MARK PACKAGE: KINGS 2065-11-9.

REV	DESCRIPTION	BY DATE	APPD
K	ER066126	JL 12/20/16	DCAM



CATALOG P/N: 2065-11-9

<small>PER ASME Y14.5M-1994 UNLESS OTHERWISE SPECIFIED, DIMENSIONS ARE IN INCHES (MM) TOLERANCES: DECIMAL: .XX [XX] ± .01 [0.3] .XXX [XXX] ± .005 [0.13] .XXXX [XXXX] ± .000X</small>		 <small>Winchester Electronics Corporation 199 Park Road Ext Suite 104 Middlebury, Connecticut, 06762</small>	
<small>ANGLES: ± 2° SCALE: 4:1</small>		CUSTOMER SALES DRAWING	
<small>THIRD ANGLE</small>		75 OHM BNC PLUG FOR BELDEN 1855A OR EQUIVALENT CABLE (RoHS)	
<small>DRAWN</small>	<small>DATE</small>	<small>APPROVED</small>	<small>DATE</small>
JL	04/09/2015	MAR	07/28/2015
<small>APPROVED</small>	<small>DATE</small>	<small>APPROVED</small>	<small>DATE</small>
YA	04/09/2015	XXX	XX/XX/XX
A		SD2065-11-9	<small>SHT OF REV</small> 1 1 K