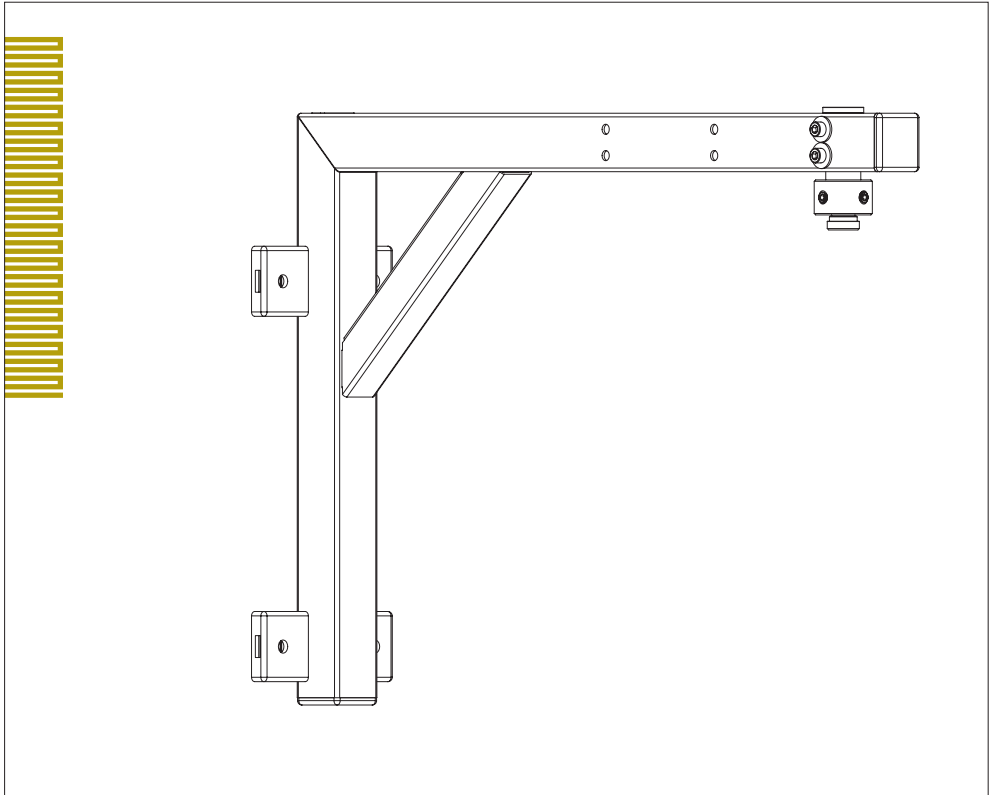


# USER MANUAL

## WALL MOUNTING



**Order No. 31102600**

# IMPORTANT NOTES

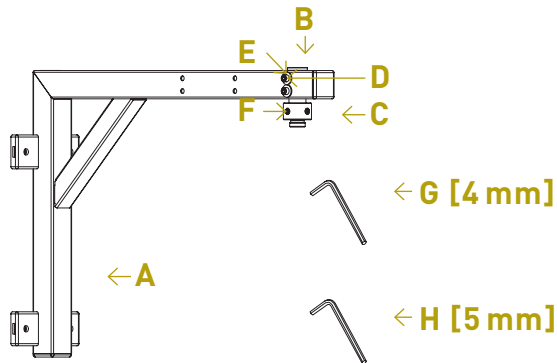
## ON INSTALLATION AND SAFETY

- Installation and assembly must be carried out by a qualified specialist.
- The following information is exclusively for the use of the specialist in 1, above, who should be able to carry out their task correctly. This specialist's training must include the ability to identify possible hazards and assess risks in order to implement all appropriate health and safety measures.
- Please read the installation and safety instructions thoroughly. When transferring ownership or use of this product, this manual must always be included.
- Read the operating instructions for the speaker system, which is to be mounted on this mounting device, and follow its installation notes.
- Only use accessories and spare parts from the ADAM Audio range.
- Observe all relevant regional, national and international regulations and guidelines when installing.
- Use the ADAM Audio ceiling mount and other mounting accessories [please refer to the overview on page 10] only to attach speakers weighing up to 37 kg [81.6 lbs].
- The ceiling bracket must not be exposed to vibrations.

On page 10 of this user manual and in the download area of [www.adam-audio.com](http://www.adam-audio.com) you will find a schematic illustration as an aid for mounting ADAM Audio's accessories. Only use those fastening materials shown in this illustration.

**Parts List:**

- A:** 1 x Wall mounting
- B:** 1 x Cylindrical bracket [pre-mounted]
- C:** 1 x Safety ring [pre-mounted]
- D:** 4 x Hexagon socket screws M5 × 16  
[For fastening the cylindrical bracket B to the wall mounting, preassembled]
- E:** 4 x Washers [metal, pre-assembled]
- F:** 4 x Hexagon socket screws M8 × 10  
[For fixing the retaining ring C to the cylindrical holder B, preassembled]
- G:** 1 x Hexagon key [4 mm]
- H:** 1 x Hexagon key [5 mm]



# DANGER!

**Dropping the speaker system may cause injury to personnel and or property damage.**

There is a risk that the speaker system could fall down until it and the mounting are attached to cylindrical bracket **B**. As long as this installation has not yet been carried out, the speaker system must be held by another qualified specialist. The above requirements also apply to this specialist. In addition, you must provide any additional means to prevent the speaker from falling down during assembly.

→ The distance of the monitor from the wall is determined by the position of the cylindrical bracket **B**. When delivered, the holder is in the middle position. If you wish to use either the rear or front positions instead, please proceed as follows:

- Use the hexagonal wrench **G** [key width: 4 mm] to loosen the four hexagonal socket screws **F**, that secure the retaining ring **C**.
- Remove the retaining ring **C**.
- Use the hex wrench **H** [key width: 5 mm] to loosen the four hexagonal socket head screws **D**, which attach the cylindrical bracket **B** to the wall bracket.

- Pull the cylindrical bracket **B** out of the central opening and insert it into the front or rear opening.
- Tighten the four Allen screws slightly [torque: 6 Nm] so that the cylindrical bracket **B** is fixed to its new position.

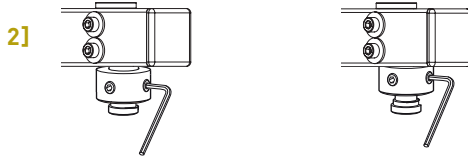
Please note that the horizontal rotation angle decreases when the cylindrical bracket **B** is in the rear position.

- Attach the wall mount to the selected vertical surface. This surface must be able to support the weight of the speaker system and all the fastening elements used. When calculating the total weight, also consider possible leverage effects.
- When selecting the fastening elements [eg bolts etc, not included in the parts contents], make sure that they are permanently anchored to the selected vertical surface and can carry the calculated total weight.
- Use all four mounting holes to attach the wall mounting.
- Attach mounting accessories from ADAM Audio that are intended for use with the wall mount, [see illustration], on your speaker system. Observe all assembly and safety instructions.
- Do not move the monitor to the desired angle of inclination until it is fully connected to the ADAM Audio mounting hardware and firmly attached to the wall mount.
- Tighten all supplied bolts and nuts with a torque of 20 Nm.

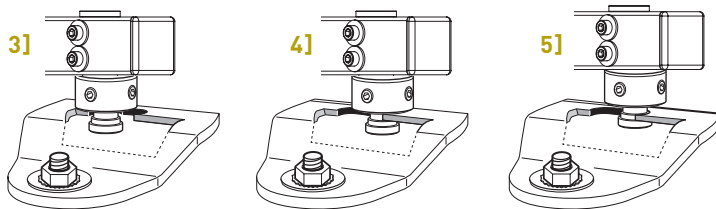
Attach the monitor connected to the ADAM Audio mounting kit to the cylindrical bracket **B**. Follow the instructions below [see figs. 2 to 7].

# INSTALLING

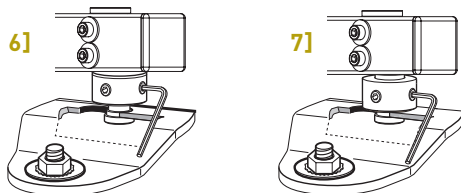
→ Slide the retaining ring **C** upwards. Tighten one of the 4 hexagon socket head screws **F** so that the locking ring can not slide off.



→ Attach the mounting hardware already attached to the speaker system to the cylindrical bracket **B**. Follow the three steps shown in Figures 3, 4 and 5.



→ Loosen the hexagon socket screw [Fig. 6] and slide the retaining ring **E** downwards until it rests on the top of the mounting accessory [Fig. 7].



→ Move the monitor to the desired horizontal position.

→ Tighten all four hexagon socket screws F with a torque of 15 Nm. The speaker system is now securely attached to the cylindrical bracket **B**.

→ Move the monitor to the desired vertical position [tilt angle].



## Technical Specifications

Weight: 3,1 kg [6.7 lbs]

Dimensions [H x W x D]: 410 mm x 565 mm x 126 mm

[16.1" x 22.2" x 5"]

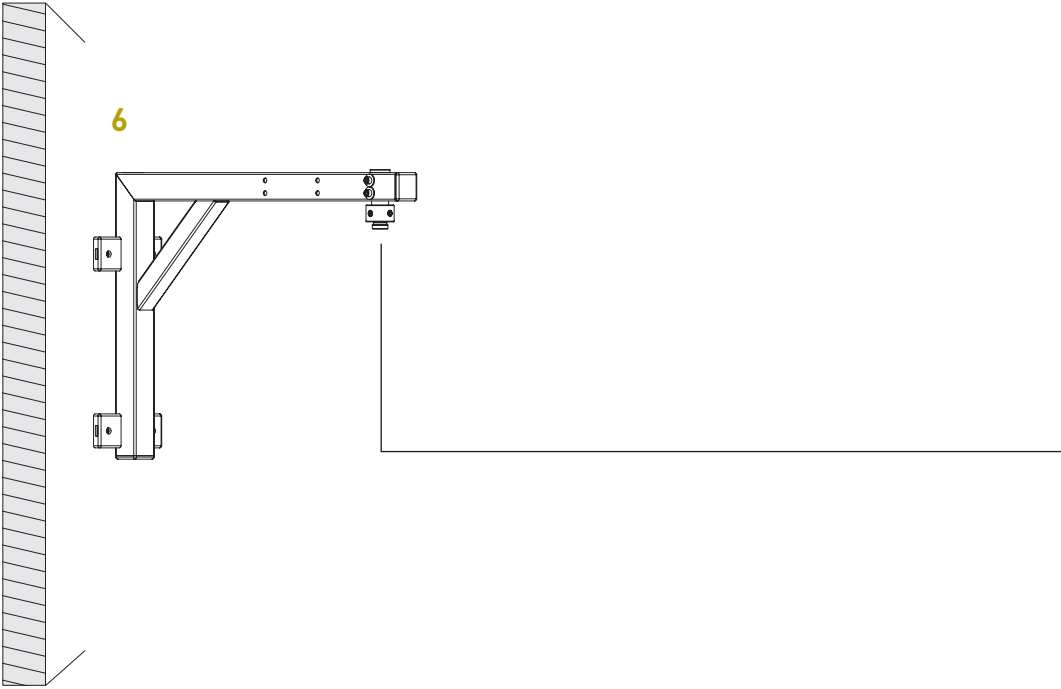
Max. load: 37 kg [81.6 lbs]

## Warranty

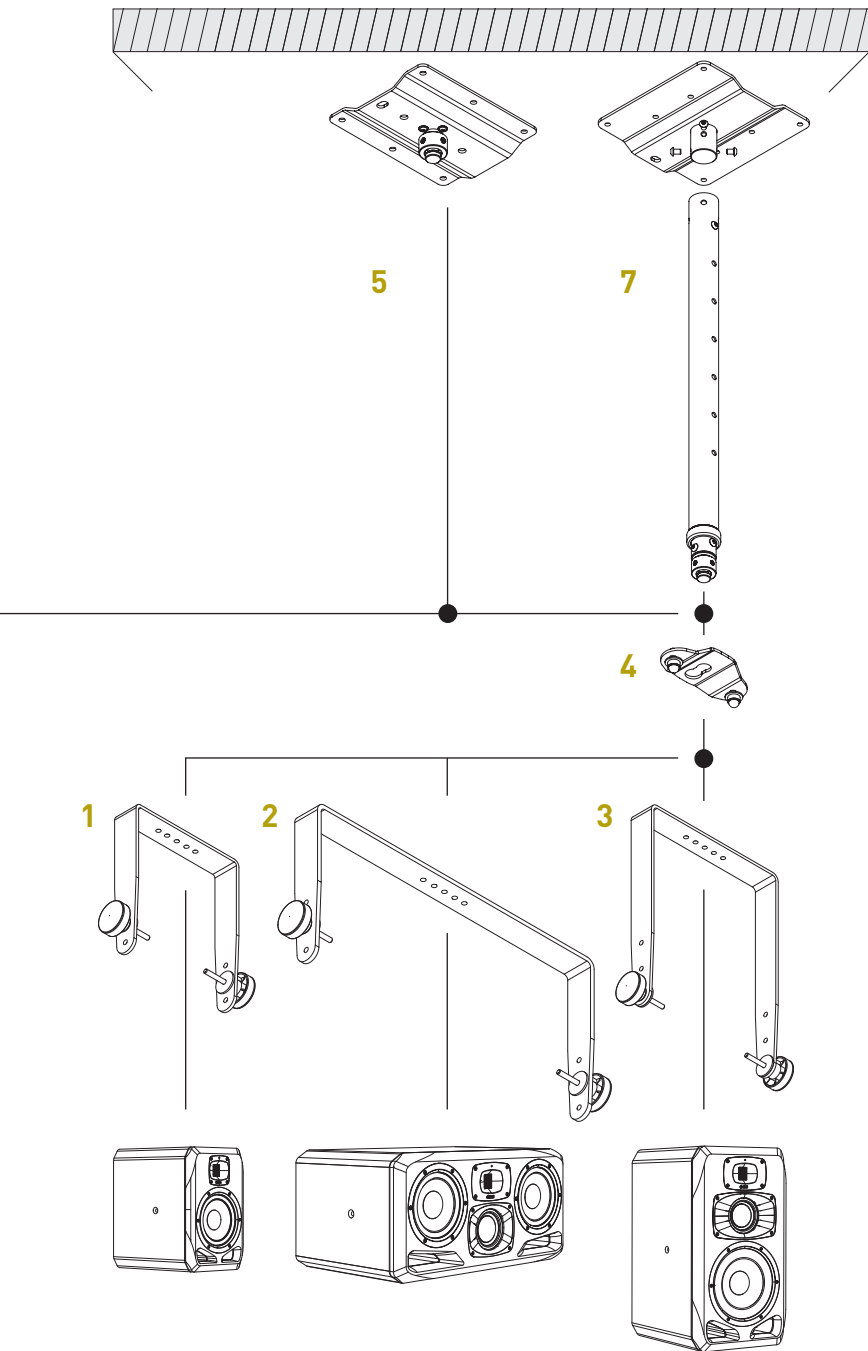
Our current **warranty conditions** may be found at

**[www.adam-audio.com](http://www.adam-audio.com)**.

# MOUNTING ACCESSORIES



	<b>Article Description</b>	<b>Order No.</b>
<b>1</b>	MOUNTING BRACKET FOR S2V	<b>31102100</b>
<b>2</b>	MOUNTING BRACKET FOR S3H	<b>31102200</b>
<b>3</b>	MOUNTING BRACKET FOR S3V	<b>31102300</b>
<b>4</b>	ADAPTER PLATE FOR MOUNTING BRACKET	<b>31102400</b>
<b>5</b>	CEILING MOUNT	<b>31102500</b>
<b>6</b>	WALL MOUNTING	<b>31102600</b>
<b>7</b>	TELESCOPIC CEILING MOUNT	<b>31102700</b>



# OFFICIAL REQUIREMENTS: THE FOLLOWING SHOULD BE STRICTLY ADHERED TO

1. At least every 3 months, check that the wall mount, mounting hardware, all cables and their connectors, as well as the monitor itself, are in serviceable condition. Check that all screws are tightened.
2. Ensure that all power, audio and coupling cabling attached to the monitor system have no strain exerted on them, i.e.: any and all cables must never bear any of the weight of the monitors or their accessories including brackets and telescopic assemblies etc.

Should you deviate from any of the above installation and safety instructions, or should any of the items become damaged, you must immediately uninstall the entire system.

© ADAM Audio GmbH 2018

Even if all efforts have been made to ensure the correctness of the information contained herein, the ADAM Audio GmbH cannot be held responsible for potential errors or missing information.

All specifications are subject to change without notice.

**ADAM AUDIO GMBH**

BERLIN, GERMANY

T +49 30-863 00 97-0

F +49 30-863 00 97-7

INFO@ADAM-AUDIO.COM

**ADAM AUDIO UK**

EMAIL: UK-INFO@ADAM-AUDIO.COM

**ADAM AUDIO USA INC.**

EMAIL: USA-INFO@ADAM-AUDIO.COM

**WWW.ADAM-AUDIO.COM**

