

# Vigilance 2 Megapixel H.265 Outdoor Dome Camera

High-definition professional surveillance and security solution, suitable for small, medium, and large enterprises.

DCS-4612EK

- 1/2.8" 2 Megapixel progressive CMOS sensor
- Resolution of up to 1920 × 1080 at 30 fps
- H.265, H.264 and MJPEG codec support
- Wide Dynamic Range (WDR) image enhancement
- Supports 2D/3D noise reduction
- Motion detection, corridor mode, and privacy mask
- Fixed 2.8 mm lens with an F2.0 aperture
- Build-in IR LED illuminator with a 30 m range
- 10/100 Base-TX Fast Ethernet port with PoE (Power over Ethernet) ensures easy integration into your network
- IP66 compliant housing allows for installation in a wide range of climates, from -30 °C to 50 °C
- microSD card slot for local recording
- ONVIF Profile S compliant
- Equipped with night vision technology for increased light sensitivity
- Vandal-proof IK10-rated housing
- Supports D-Link's free D-ViewCam™ suite of management software



### IP66 Compliant

Water-resistant and dust-tight housing with an operating temperature range of -30 to 50 °C



### Night Vision

Optimized for increased image quality in low-light environments



### 30 Meter Illumination

See up to 30 meters in the dark with a built-in IR-cut filter and IR LED



### Wide Dynamic Range

Improved image quality in high-contrast conditions with WDR



### PoE Capable

Supports 802.3af PoE for flexible and simple installation



### microSD Card<sup>1</sup>

Equipped with a microSD card slot for local storage

## Camera

- Camera Hardware Profile**
- 1/2.8" 2-megapixel progressive CMOS sensor
  - 30 meter IR illumination distance
  - Minimum illumination:
    - Color: 0.05 lux @(F2.0, AGC ON)
    - B/W: 0 lux @(IR LED ON)
  - Built-in Infrared-Cut Removable (ICR) Filter module
  - 18x digital zoom
  - Minimum object distance 0.5 m
  - Focal length: 2.8 mm
  - Aperture: F2.0
  - Angle of view:
    - (H) 102°
    - (V) 55°
    - (D) 126°
  - 3-axis adjustment angle (non-motorized):
    - Pan: 350°
    - Tilt: 15° - 90°
    - Rotate: 335°

- Camera Housing**
- IP66 certified weatherproof housing
  - Supports IK10 standard

- Image Features**
- Configurable image size, quality, frame rate, bit rate
  - Time stamp and text overlays
  - Configurable shutter speed, brightness, saturation, contrast, sharpness, 3D filter
  - Configurable motion detection area
  - Configurable privacy mask zones
  - Auto White Balance (AWB)
  - Auto Gain Control (AGC)
  - Wide Dynamic Range (WDR)
  - Corridor mode

- Video Compression**
- Simultaneous H.265/H.264/MJPEG compression JPEG for still images

- Max. Video Resolution and Frame Rate**
- 1920 × 1080 at up to 30 fps

- External Device Interfaces**
- microSD card slot
  - Reset button
  - 10/100 Base-TX Fast Ethernet port (supports 802.3af PoE Class 3)

## Network

- Network Protocols**
- IPv4
  - HTTP/HTTPS
  - RTSP/RTP/RTCP
  - TCP
  - UDP
  - DHCP
  - DNS
  - DDNS
  - NTP
  - FTP
  - SMTP Client
  - ONVIF Profile S compliant
  - ARP
  - ICMP
  - PPPoE
  - SNMP v1/v2c/v3



## System Management

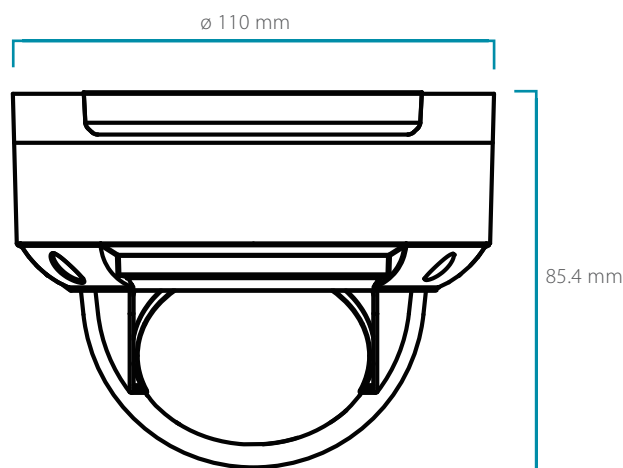
Event Management	<ul style="list-style-type: none"> <li>• Motion detection</li> <li>• Multiple event notifications</li> <li>• Event notification and uploading of snapshots via e-mail or FTP</li> <li>• Video recording via microSD card, D-ViewCam, D-Link NVR or ONVIF-compliant NAS</li> </ul>
Remote Management	<ul style="list-style-type: none"> <li>• Remote management via D-ViewCam software</li> <li>• Remotely take snapshots/video clips and save to a local hard drive</li> <li>• Configuration interface accessible via a web browser</li> </ul>
System Requirements for Web Interface	<ul style="list-style-type: none"> <li>• Operating System: Microsoft Windows</li> <li>• Browser: Internet Explorer 11 for full function; Chrome and Firefox (MJPEG only)</li> </ul>
D-ViewCam System Requirements	<ul style="list-style-type: none"> <li>• Operating System: Windows 10</li> <li>• Protocol: Standard TCP/IP</li> </ul>
D-ViewCam Software Functions	<ul style="list-style-type: none"> <li>• Supports all management functions provided in the web interface</li> <li>• Scheduled motion trigger or manual recording options</li> <li>• Viewing of up to 64 cameras on one screen</li> <li>• Remote management of up to 64 cameras</li> </ul>

## General

Weight	• 470 g ± 5%
External Power Adapter	<ul style="list-style-type: none"> <li>• 100 to 240 V AC, 50/60 Hz (Input),</li> <li>• 12 V DC 1.5 A (Output)</li> </ul>
Power Consumption	• 5 W ± 5% (PoE)
Operating Temperature	• -30 to 50 °C (-22 to 122 °F)
Storage Temperature	• -20 to 70° C (-4 to 158 °F)
Operating/Storage Humidity	• Max. 90% non-condensing
Dimensions	• ø 110mm x 85.4 mm (ø 4.3 in x 3.4 in)
Certifications	• CE, FCC, RCM

## Order Information

DCS-4612EK	Vigilance 2 Megapixel H.265 Outdoor Dome Camera
------------	---



<sup>1</sup> microSD card not included. Supports capacity up to 256 GB.

Mounts			
Model Name	Pole-Mount Bracket	Wall-Mount Bracket	Junction Box
Model Number	DCS-37-4	DCS-37-5	DCS-37-6
Product Image			
Dimensions (L x W x H)	L121 x W52 x H120 mm	L183 x ø120 x H84 mm	ø121 x H46 mm
Weight	470 g	350 g	420 g
Maximum Load	3 kg	3 kg	3 kg
Material	Metal	Metal	Metal

**Note:** The DCS-37-4 must be used in conjunction with the DCS-37-5 or the DCS-37-6 to properly mount the DCS-4612EK camera.

