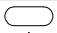

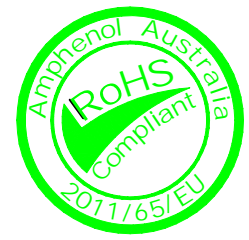
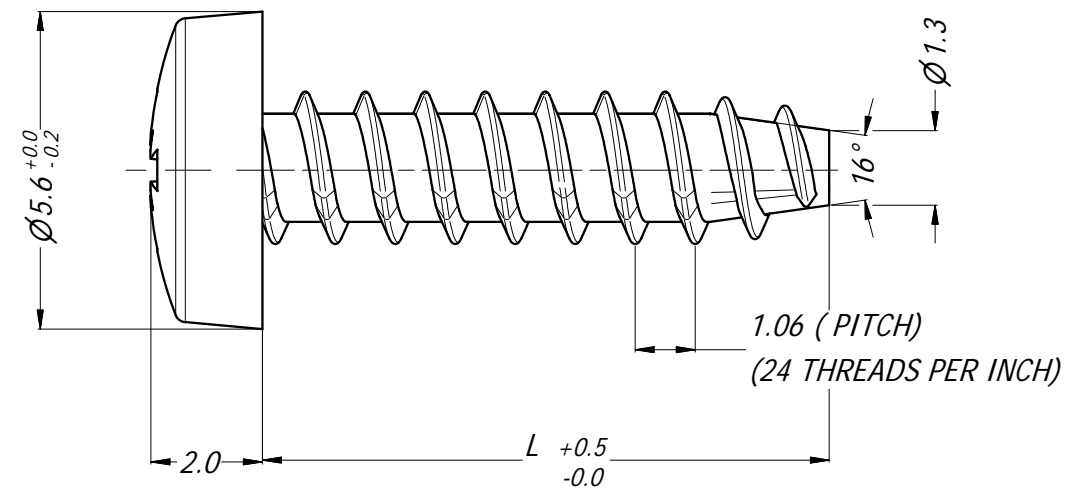
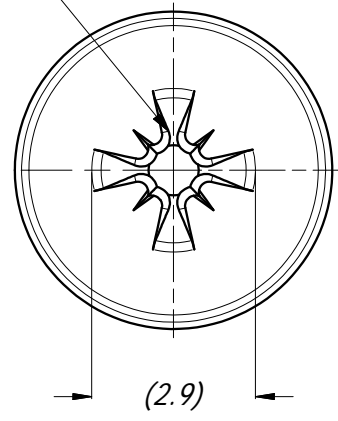


LEGEND  
 = CRITICAL INSPECTION DIMENSIONS.  
 = KEY PRODUCT CHARACTERISTICS



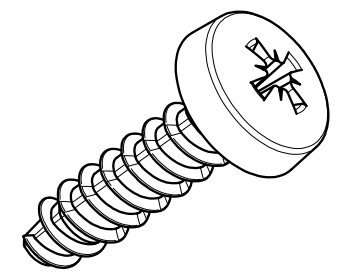
SEE NOTE 4.



- NOTES:
1. MATERIAL: MEDIUM CARBON STEEL, HARDENED TO 50-55 HRC
  2. FINISH: BLACK COATING
  3. ALL MATERIAL SHALL BE RoHS & REACH COMPLIANT.
  4. CROSS RECESSES TYPE 1A AS PER ANSI B18.6.4-1981, R1991

TABLE OF PART No.

PART No.	LENGTH L
52500014-734	7.8
52500014-735	10.0



3D VIEW  
4:1

UNLESS OTHERWISE SPECIFIED TOLERANCE TO BE		THIS DOCUMENT IS THE PROPERTY OF AMPHENOL AUSTRALIA PTY. LTD. NO PART THEREOF MAY BE REPRODUCED AND USED WITHOUT THE PRIOR WRITTEN CONSENT OF THE OWNER.				<b>Amphenol</b> Amphenol Australia Pty.Ltd, 22 Industry Blvd Carrum Downs, VIC 3201			
LINEAR	ANGULAR	MATERIAL:	DRN:	T.N	DATE:	14/08/14	TITLE:		
X ± 0.5	X' ± 1	CARBON STEEL	CKD:	P.M	DATE:	14/08/14	SCREW 2.9 x 1.06		
X.X ± 0.1	X.X' ± 30'		APP'D:	P.M	DATE:	14/08/14	TRI-ROUNDULAR THREAD		
X.XX ± 0.05	X.XX' ± 15'	FINISH:	SCALE:	SIZE:	A4	CUSTOMER DWG	PART No:		
BREAK ALL SHARP EDGES AND REMOVE ALL BURRS		DO NOT SCALE		DIMENSIONS IN MILLIMETRES		THIRD ANGLE PROJECTION		SEE TABLE	REV
								DRAWING No.	SHEET
								52500014-734-1	2/2